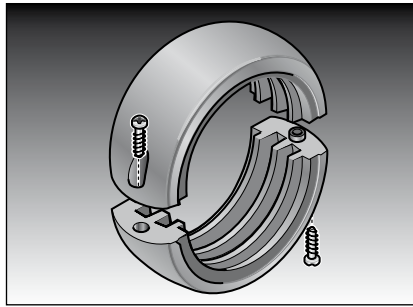
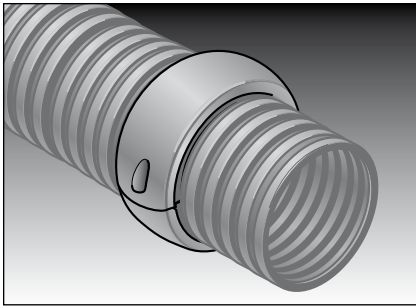
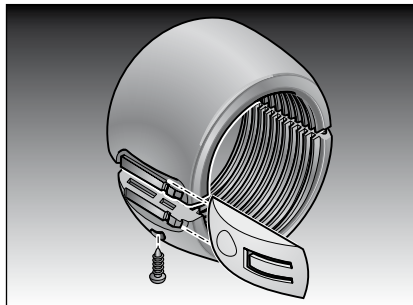
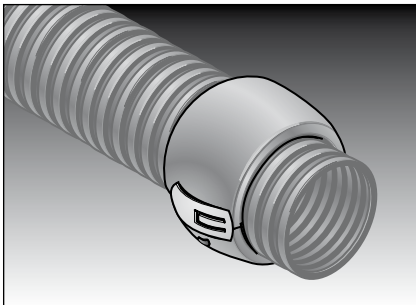


Protector / impact protection



Protector with screw-on configuration as impact protection for cable conduits.

1) Protector / impact protection high design



Protector with slide locking and locking screw as impact protection for cable sheaths.

2) Protector / impact protection low design

Protector / impact protection

The protectors, also referred to as impact protection, protect the dresspack against impacts and abrasion. This means the service life of the dresspacks is significantly increased.

- Low configuration with slide locking and locking screw
- High configuration with screw attachment



No.	Type	Order no.	Material	Colour	PU pce.	Remarks
Tall configuration						Design
1	Impact protection 70	82951814	PA	Black	10	high
2	Impact protection 70	82951824	PA	Red	10	high
3	Impact protection 70	82951844	PA	Green	10	high
Low configuration for cable sheaths with standard corrugation type EW-xx						Design
4	Impact protection 36	82691062	PA	Black	10	low
5	Impact protection 48	82691064	PA	Black	10	low
6	Impact protection 56	82691065	PA	Black	10	low
Low configuration for cable sheaths with standard corrugation type EWX-xx						Design
7	Impact protection 36	82691262	PA	Black	10	low
8	Impact protection 48	82691264	PA	Black	10	low
9	Impact protection 56	82691265	PA	Black	10	low
Low configuration for cable sheaths with standard corrugation type EWX-xx and standard corrugation EW-xx						Design
10	Impact protection 70	82691267	PA	Black	10	low
11	Impact protection 70	82951814	PA	Grey	10	low