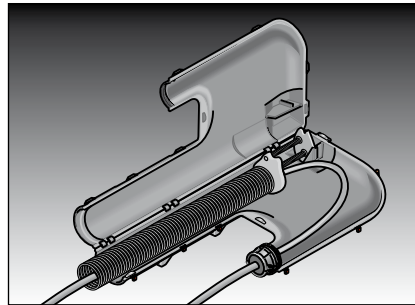
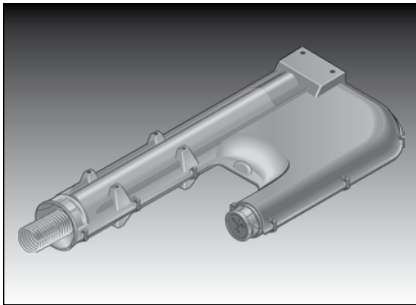
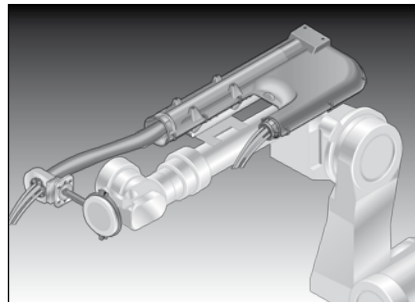
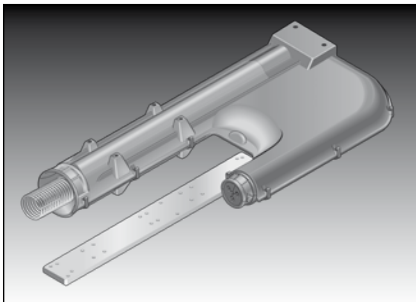


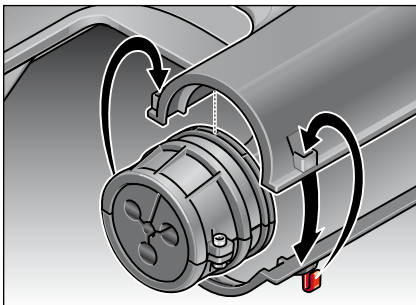
R-TecBox 70/56 and 48/36



R-TecBox closed and open:
1) R-TecBox

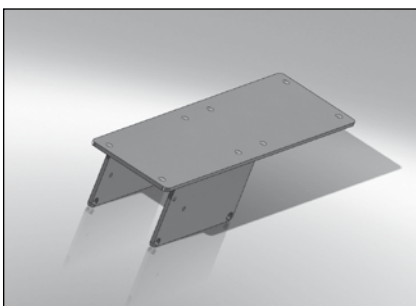


R-TecBox and base plate, individually
and in working position

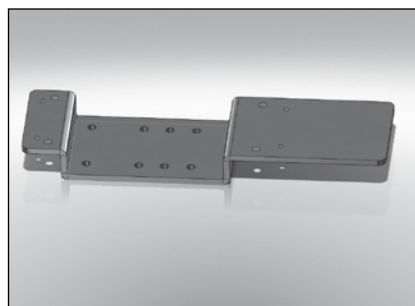


Accessories and spare parts for
R-TecBox:
3) Strain relief holder

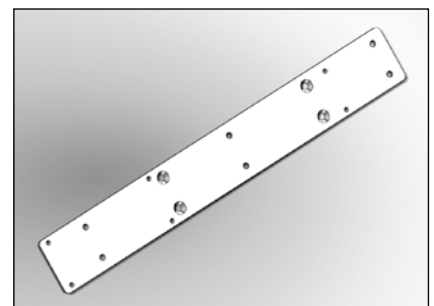
Base plates



Base plate ABB (2.1)



Base plate FANUC (2.2)



Base plate KUKA (2.3)

R-TecBox



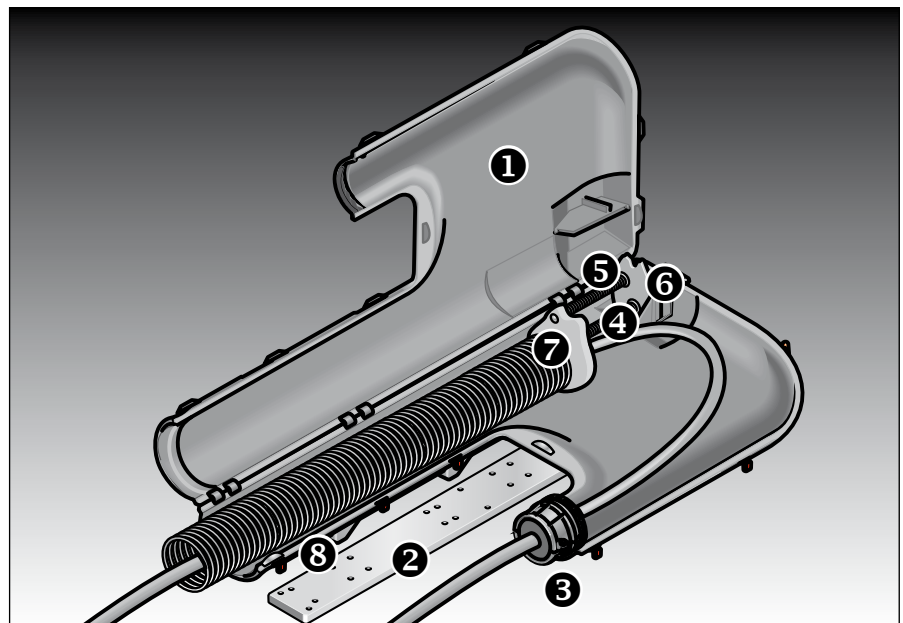
R-TecBox 48/36



R-TecBox 70/56

R-TecBox 70/56 and 48/36

With the R-TecBox, Robotec Systems has succeeded in creating a new system for optimum guidance of the energy packs from axis 3 to axis 6 on industrial robots. The energy pack is guided securely, effectively with low-wear in the specially produced housing. The integrated spring return system is unique.



No.	Type	Order no.	Material	Colour	PU pce.	Remarks
1	R-TecBox 70	82950000	PP + GF	Black	1	
2	Base plates					
2.1	Base plate A3 ABB 6600/6650*	82953051	Steel	Black	1	powder-coated
2.2	Base plate A3 Fanuc R2000*	82953040	Steel	Black	1	powder-coated
2.3	Base plate A3 Kuka KR 150-240*	82950012	Steel	Black	1	powder-coated
3	Strain relief holder	82951646	PA	Black	1	
Spare parts for R-TecBox 70/56						
4	Tension spring	82952430	Steel	Silver	1	
5	Spring cup R-TecBox 70	82952432	Al	Silver	4	
6	Spring holder R-TecBox	82952426	Al	Silver	1	
7	Slider R-TecBox 70	82950005	POM	Black	1	
8	Threaded pin M 12 x 50	82952428	Steel	Black	4	powder-coated
Spare parts for R-TecBox 48/36						
9	R-TecBox 36-48	82950009	PP + GF	Black	1	
10	Slider R-TecBox SL 36 EWX	82950001	POM	Black	1	
11	Slider R-TecBox SL 48 EWX	82950003	POM	Black	1	
12	Spring holder R-TecBox 36-48	82950018	Al	Silver	1	

* For additional robots / robot types on request